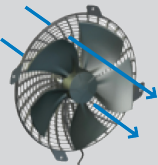
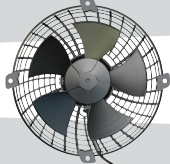
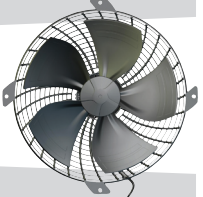






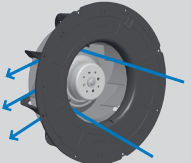
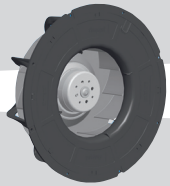
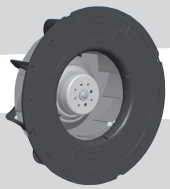
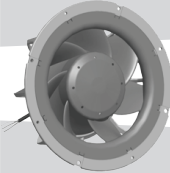
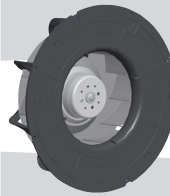


# Energy-Saving Fans

## Product Range

	Impeller ø	172 mm	175 mm	190 mm	200 mm	220 mm	230 mm	250 mm	300 mm
Direction of Airflow									
	<b>S1G Series</b>								
Direction of Airflow									
	<b>W1G Series</b>								
Direction of Airflow									
	<b>K1G Series</b>				*335 CFM				
<b>Free Air Flow</b>		<b>310 CFM</b>	<b>285 CFM</b>	<b>305 CFM</b>	<b>440 CFM</b>	<b>365 CFM</b>	<b>575 CFM</b>	<b>625 CFM</b>	<b>825 CFM</b>

\* Diagonal design - exhaust at 45° versus 90°