



R3G630 Series Motorized Impeller

Ø 630mm Backward Curved, 3-D EC-Systems™

- **Material:** stator and electronics housing made of die-cast aluminum, rotor made of steel sheet (black, KTL-costed), impeller made of sheet aluminum (laser welded)
- **Technical features:** integrated electronics, under voltage detection, phase failure recognition, limitation of motor current, over-temperature protection of electronics and motor, locked rotor protection, short-circuit protection
- **Bearings:** maintenance-free ball bearings
- **Balancing quality:** ≤ Q 6.3 according to DIN ISO 1940-1
- **Type of protection:** IP54 according to DIN VDE 0470, part 1 (EN 60 529) category 2
- **Approvals:** UL, CSA, VDE and CE applications pending.
- **Mounting position / condensate discharges:** Norm is shaft horizontal or rotor down with 4 condensate discharges drilled into rotor. Mounting position rotor on top on request.
- **Recommended inlet ring:** 63070-2-4013

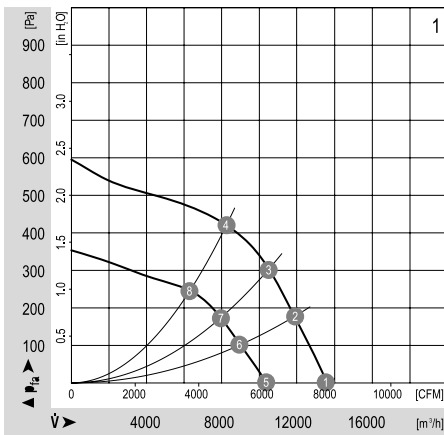
Part Number	Curve	CFM @ 0	VAC	Hertz	Power (kW)	dBA	Max. Amb. Temp. C	Speed (RPM)	Wgt. (lbs)
R3G630-AA08-03	1	8063.6	380-480	50/60	1.10	74	60	1000	55.13
R3G630-AB06-03	2	9593.9	380-480	50/60	2.00	79	50	1200	61.74

Note: Infinite speed control is possible; selective data shown. All data subject to change without notice. See page 204 for detailed dimensions.

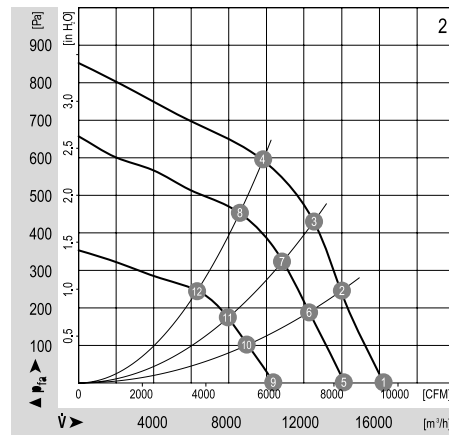
	n [RPM]	P ₁ [kW]	η _{IL} [%]	L _{pA} [dBA]
1 ①	1000	1.10	—	74
1 ②	1000	1.40	54	71
1 ③	1000	1.65	66	70
1 ④	1000	1.70	64	70
1 ⑤	770	0.50	—	66
1 ⑥	770	0.65	54	64
1 ⑦	770	0.73	66	64
1 ⑧	770	0.75	64	64

	n [RPM]	P ₁ [kW]	η _{IL} [%]	L _{pA} [dBA]		n [RPM]	P ₁ [kW]	η _{IL} [%]	L _{pA} [dBA]
2 ①	1200	2.00	—	79	2 ⑨	770	0.50	—	66
2 ②	1200	2.40	54	76	2 ⑩	770	0.65	54	64
2 ③	1200	2.75	66	75	2 ⑪	770	0.73	65	64
2 ④	1200	2.80	64	75	2 ⑫	770	0.75	63	64
2 ⑤	1050	1.30	—	75					
2 ⑥	1050	1.63	54	72					
2 ⑦	1050	1.75	66	71					
2 ⑧	1050	1.85	63	71					

Curve



Curve

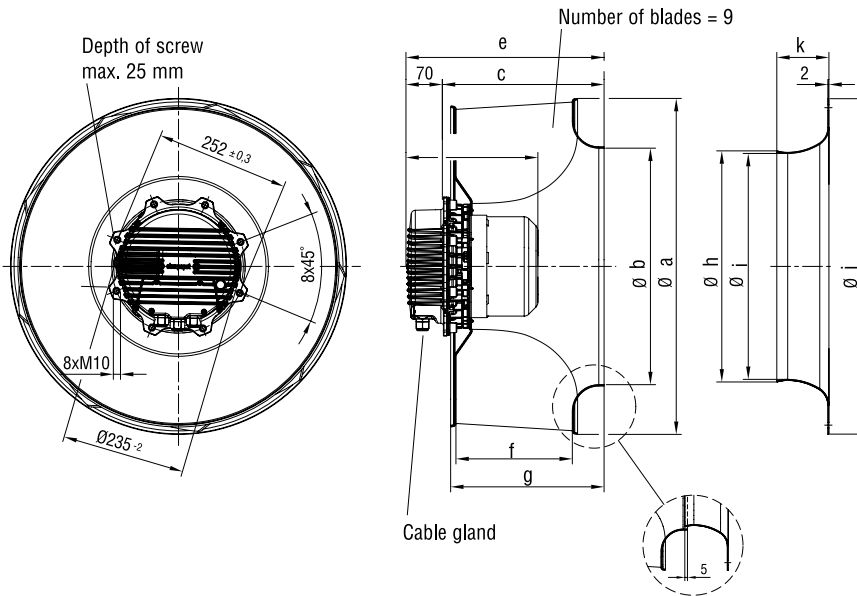




Dimensions

Motorized Impeller

R3G500/560/630 Backward Curved EC-Systems™



Part Number	a		b		c		d		e		f		g		h		i		j		k	
	in	mm	in	mm	in	mm	in	mm	in	mm	in	mm	in	mm	in	mm	in	mm	in	mm	in	mm
R3G500-AG06-03	19.89	505	13.98	355	9.8	249±2	8.62	219.5	12.56	319±3	6.89	175	9.17	233	13.62	346	13.27	337	18.5	470	2.95	75
R3G560-AG07-03 R3G560-AH02-03	22.24	565	15.67	398	10.79	274±2	8.62 9.82	219.5 249.5	13.54	344±3	7.68	195	10.16	258	15.31	389	14.96	380	20.28	515	3.23	82
R3G630-AA08-03 R3G630-AB06-03	25	635	17.6	447	12.05	306±2	8.62 9.82	219.5 249.5	14.8	376±3	8.66	220	11.42	290	17.2	437	16.81	427	24.96	634	3.88	98.5