

# ACmaxx

## AC 4300 H

### Compact Axial Fan



ebm-papst introduces an extension of our AC product line with the new 4-inch ACmaxx tubeaxial fan series AC 4300.

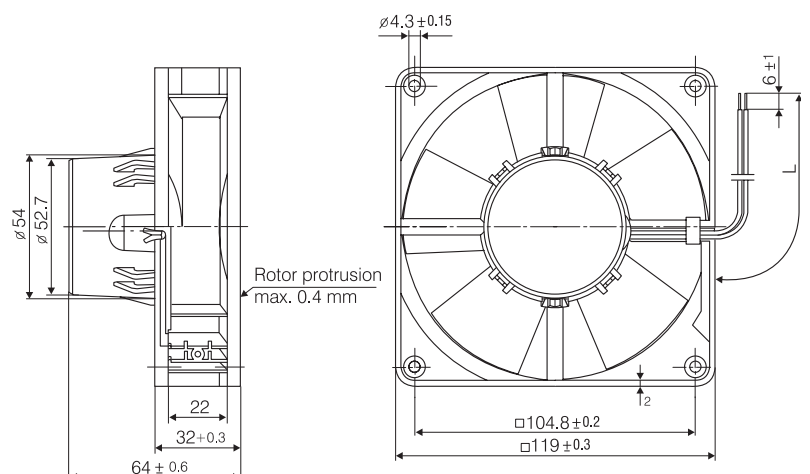
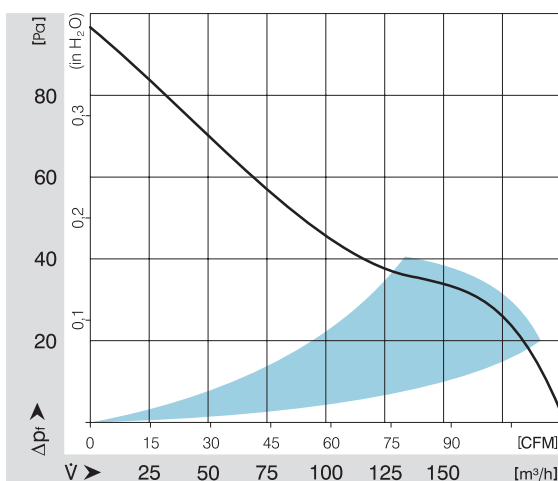
The AC 4300 series once again consists of our proven external rotor motor with completely integrated drive and control electronics. Please check back with us regarding availability of additional ACmaxx tubeaxial fan sizes.

### General Data

Nominal Voltage	V AC	115 / 230 (50 / 60 Hz)
Voltage Range	V AC	85 ... 265
Nominal Speed	min <sup>-1</sup>	3 400
Max. flow rate	m <sup>3</sup> /h	204
Max. flow rate	CFM	120
Noise free air	dB(A)	51
Power consumption	W	10.5
Permanent ambient temperature	°C	-20 ... +70
at max. voltage		
Service life (70 °C)	h	20 000
Service life (40 °C)	h	45 000
Fan housing / impeller		PBTP / PA
Bearing system		Ball bearings
Mass	g	325

### Features

- Wide input voltage range, 85 ... 265 V AC
- High efficiency – very low power consumption
- High reliability L<sub>10</sub>
- Speed control, tachometer / alarm signals etc. are available
- Safety UL; CSA; VDE; CCC; CE
- EMI
  - > EN61000-4-4 Level 1 (1 kV)B
  - > EN61000-4-2 Level 8 kV/15 kV
  - > EN61000-4-3
  - > EN61000-4-6
  - > EN61000-4-8
  - > EN55022 Class B
- Optional: sleeve bearing
- Optional: improved humidity protection



L 1009 GB - 0106

**ebmpapst**

ebm-papst St. Georgen GmbH & Co. KG

Hermann-Papst-Straße 1 • D-78112 St. Georgen • Phone +49 (0) 77 24 / 81-0 • Fax +49 (0) 77 24 / 81-1309 • info2@de.ebmpapst.com • www.ebmpapst.com/de